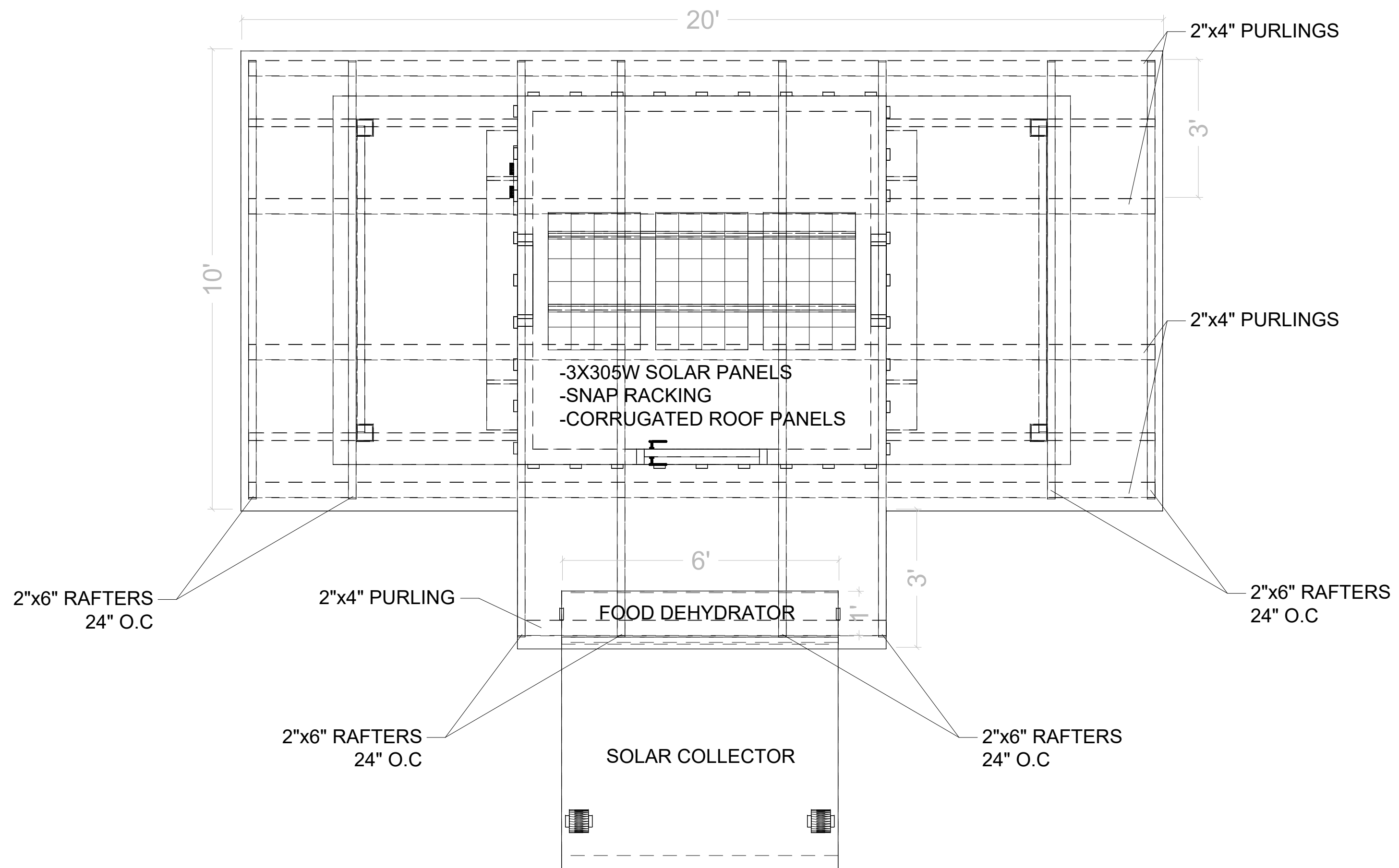


FLOOR PLAN
SCALE: 3/4"=1'-0"

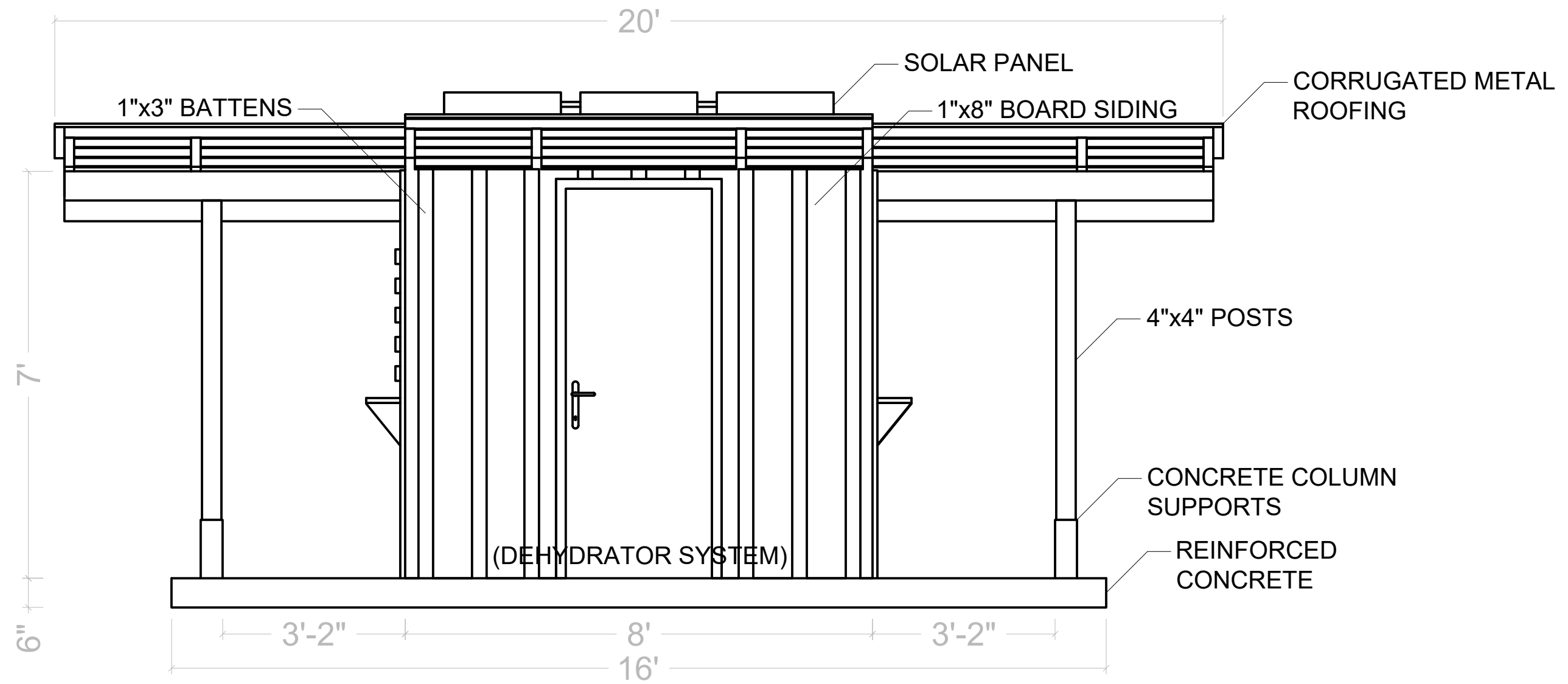


PACIFIC ISLANDS SOLAR STATION V.1.

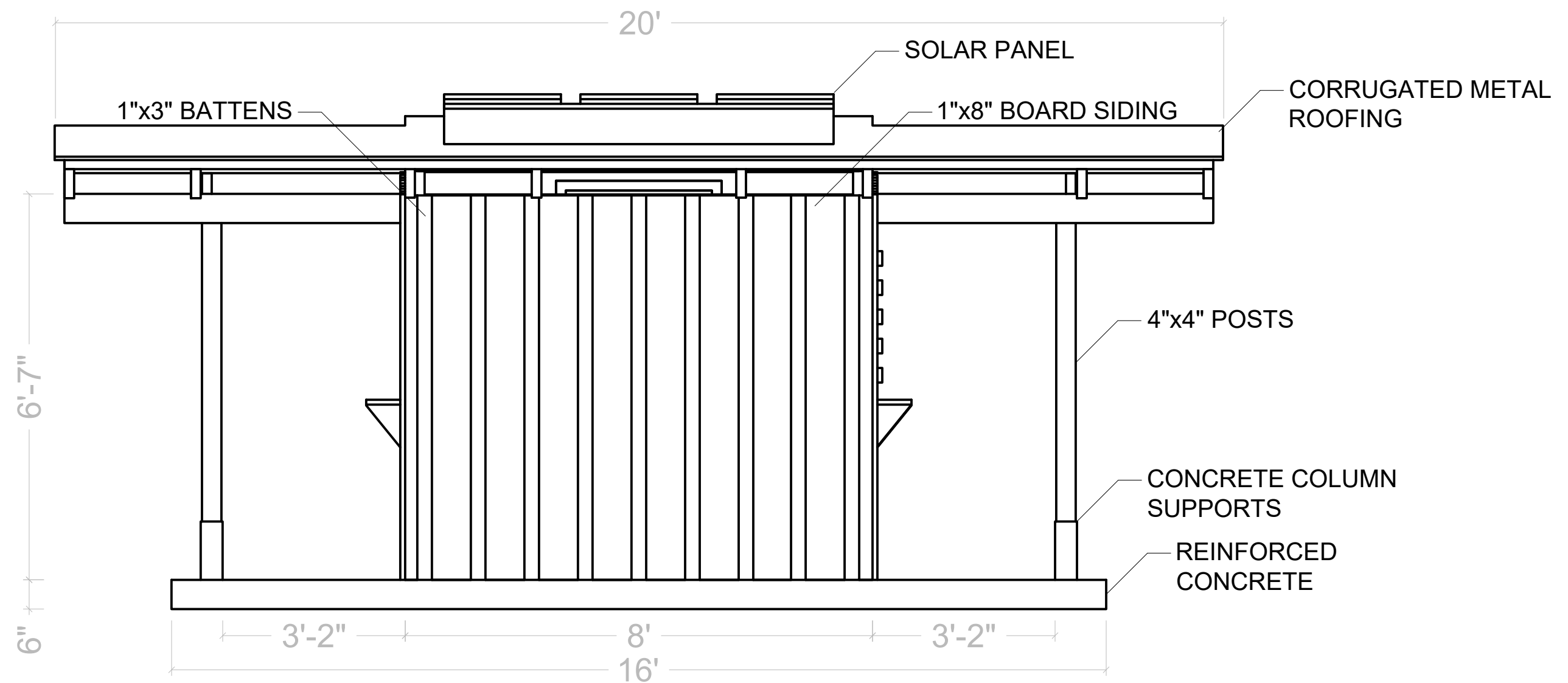
LOCATION:
 LATITUDE: 9° SOUTH
 LONGITUDE: 160° EAST
 ON JULY 09, 2020

MAGNETIC DECLINATION:
 8°39,72 EAST

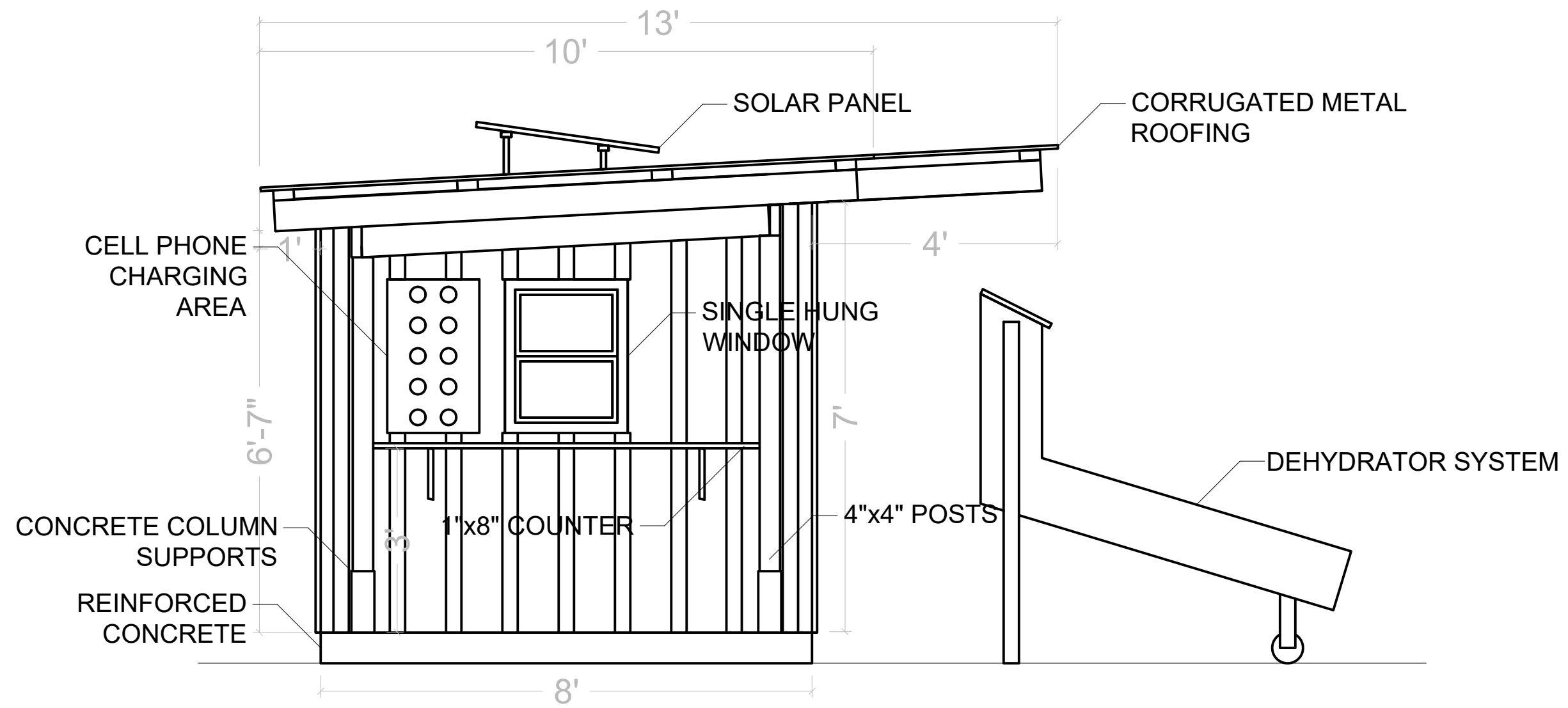
ROOF FRAMING WITH SOLAR SYSTEMS
 SCALE: 1/4"=6"



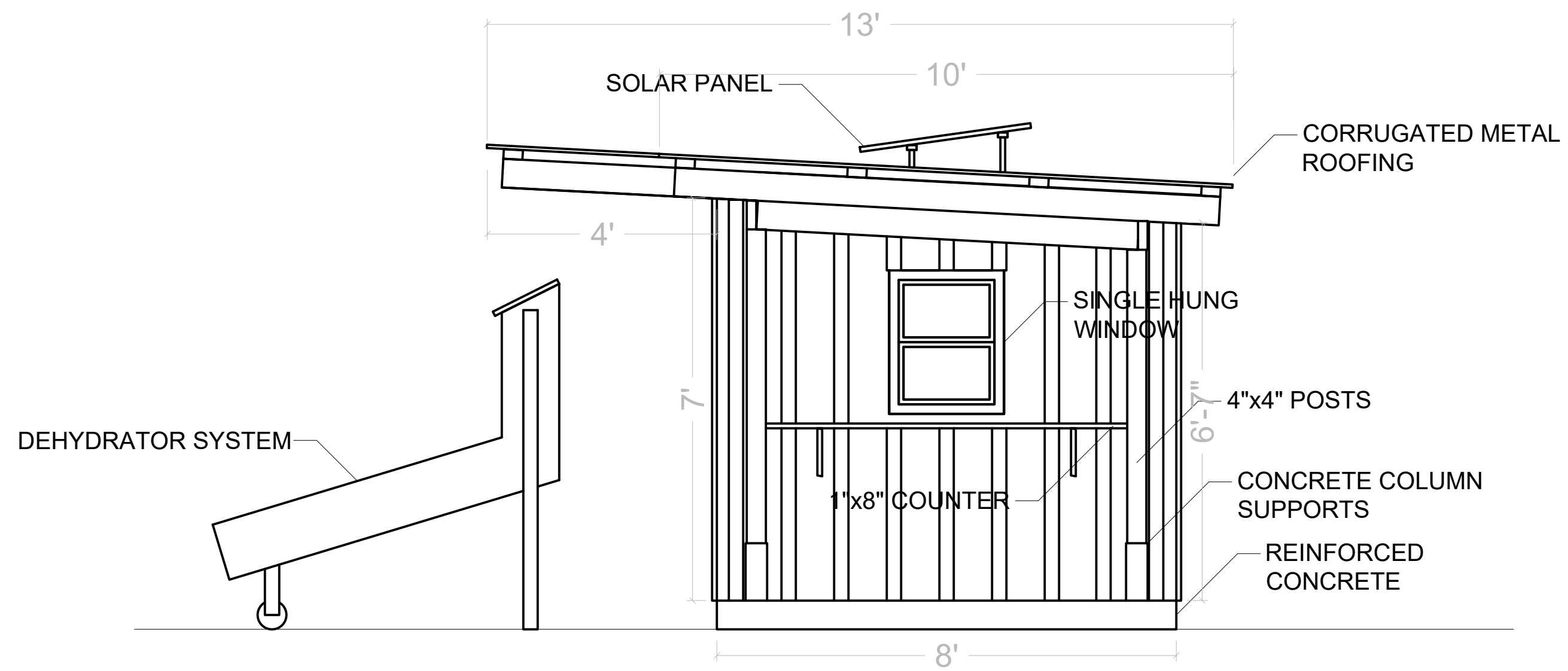
NORTH ELEVATION
SCALE: 1/4"=6"



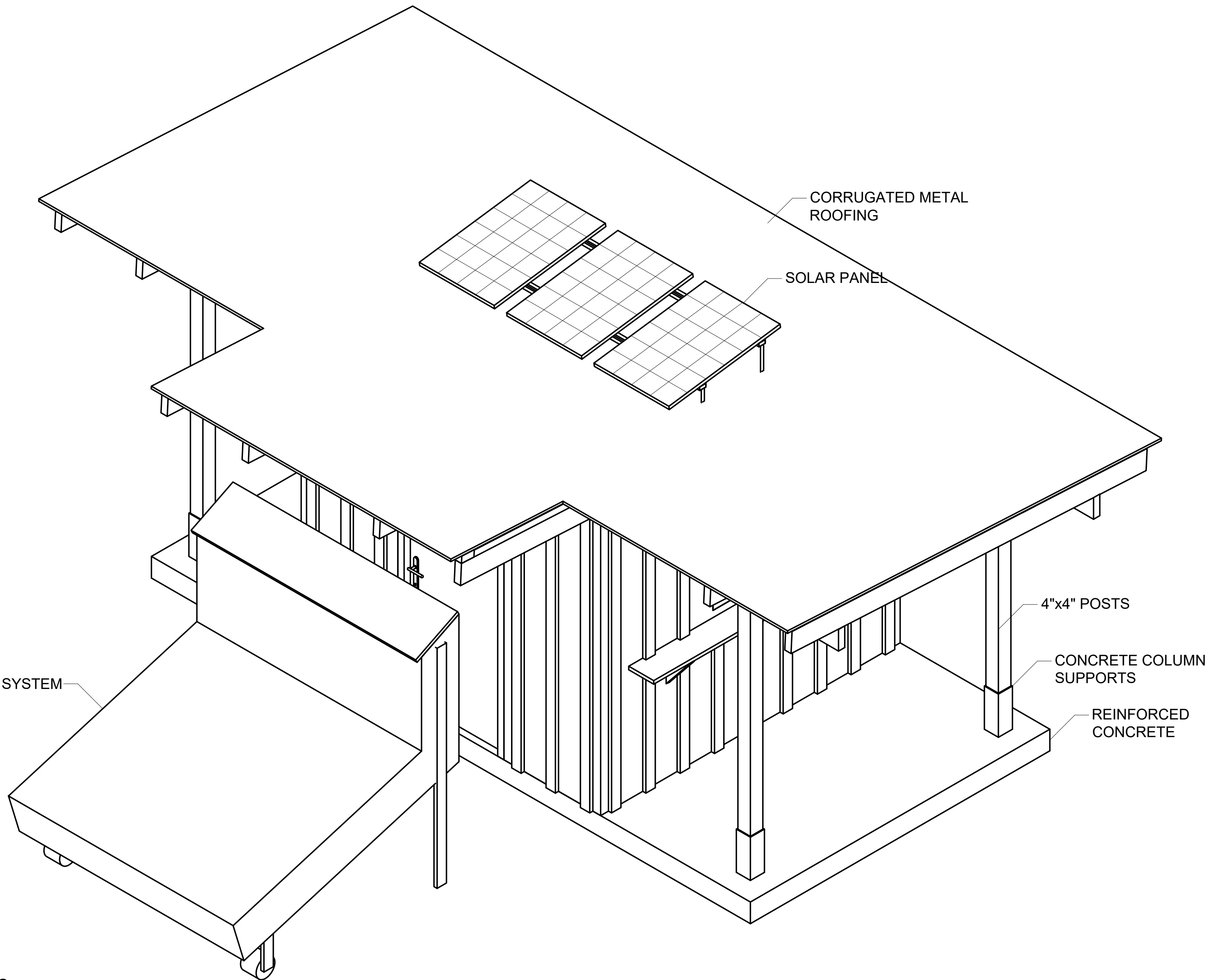
SOUTH ELEVATION
SCALE: 1/4"=6"



EAST ELEVATION
SCALE: 1/4"=6"



WEST ELEVATION
SCALE: 1/4"=6"



DEHYDRATOR SYSTEM

CORRUGATED METAL ROOFING

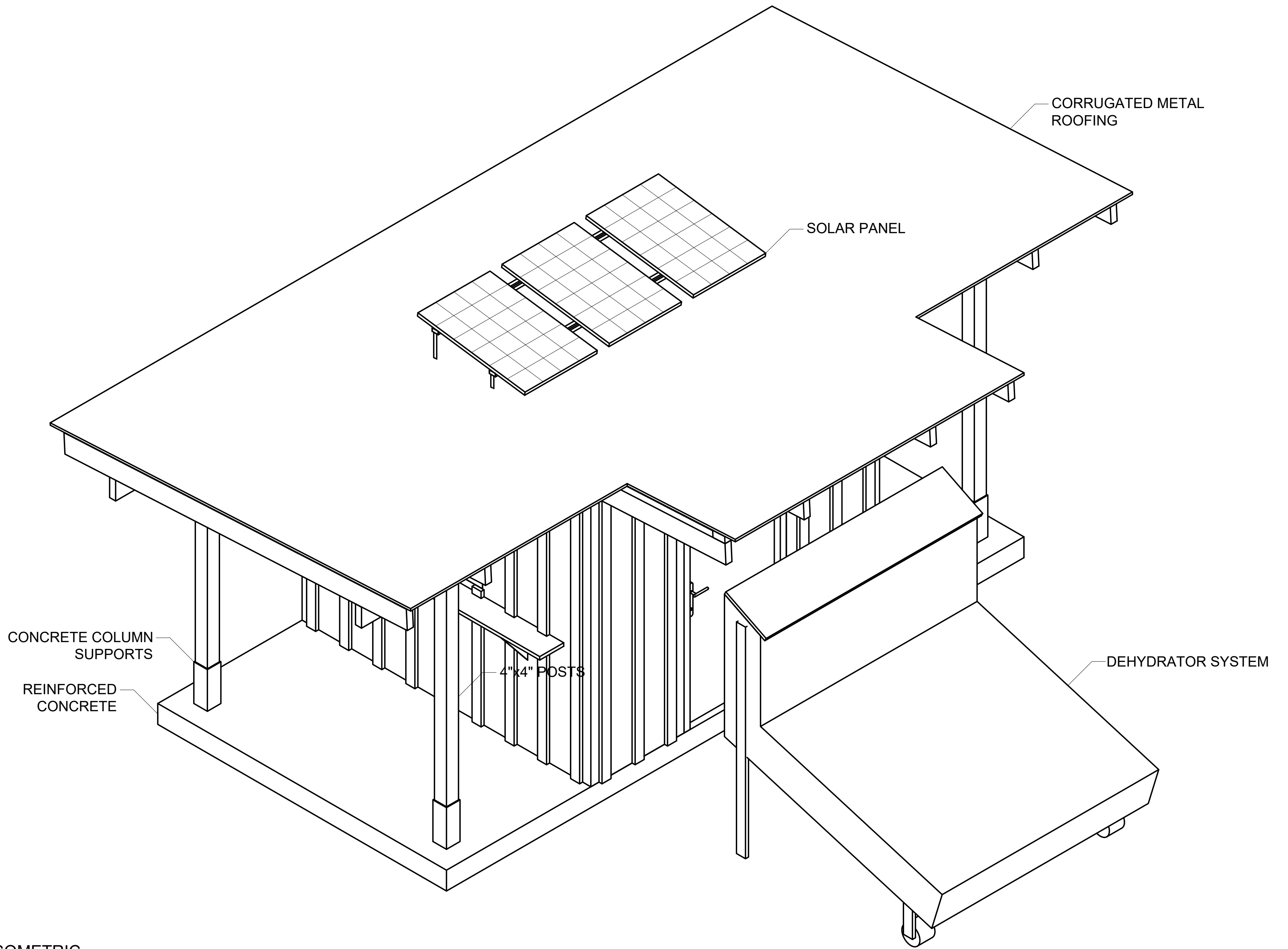
SOLAR PANEL

4"x4" POSTS

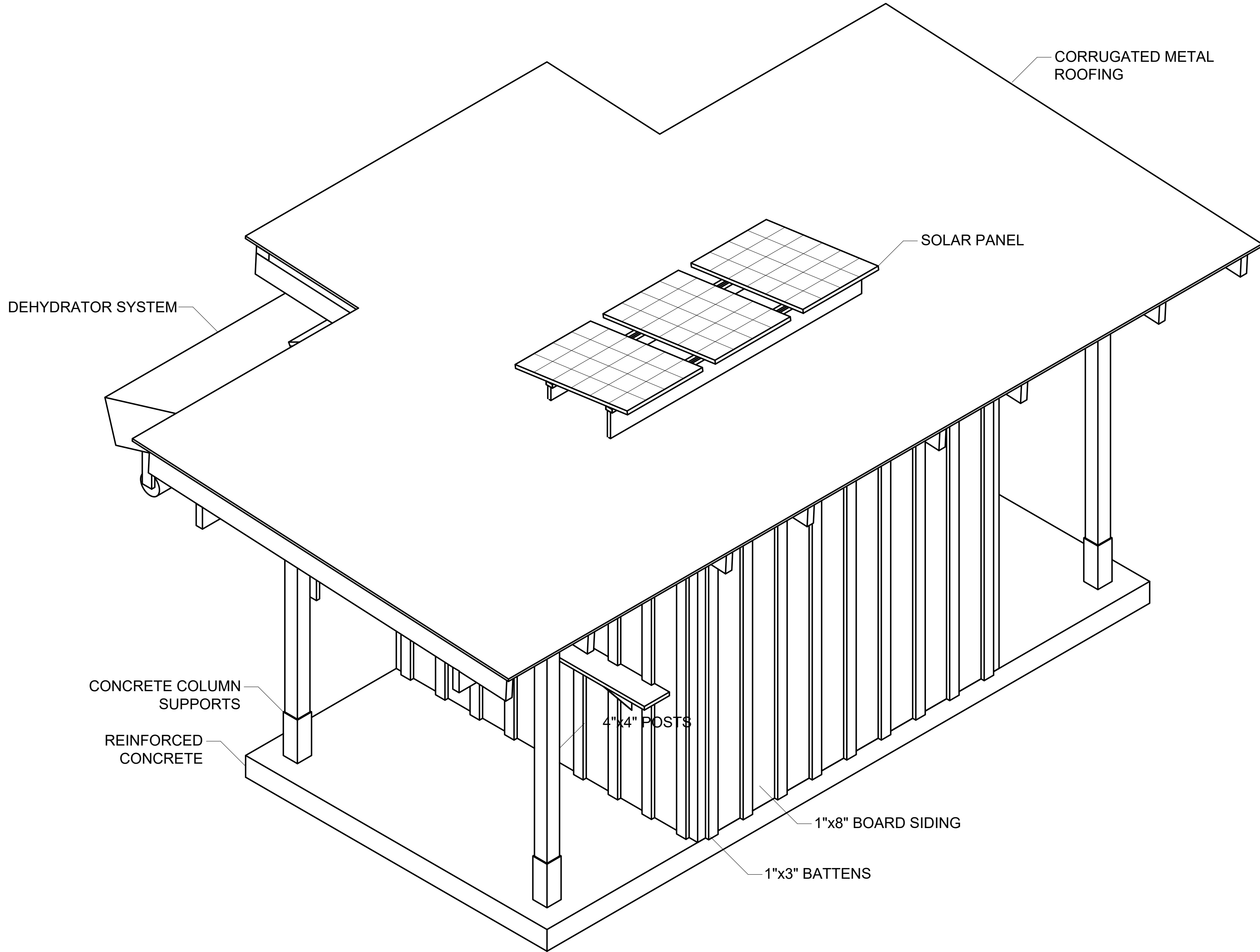
CONCRETE COLUMN SUPPORTS

REINFORCED CONCRETE

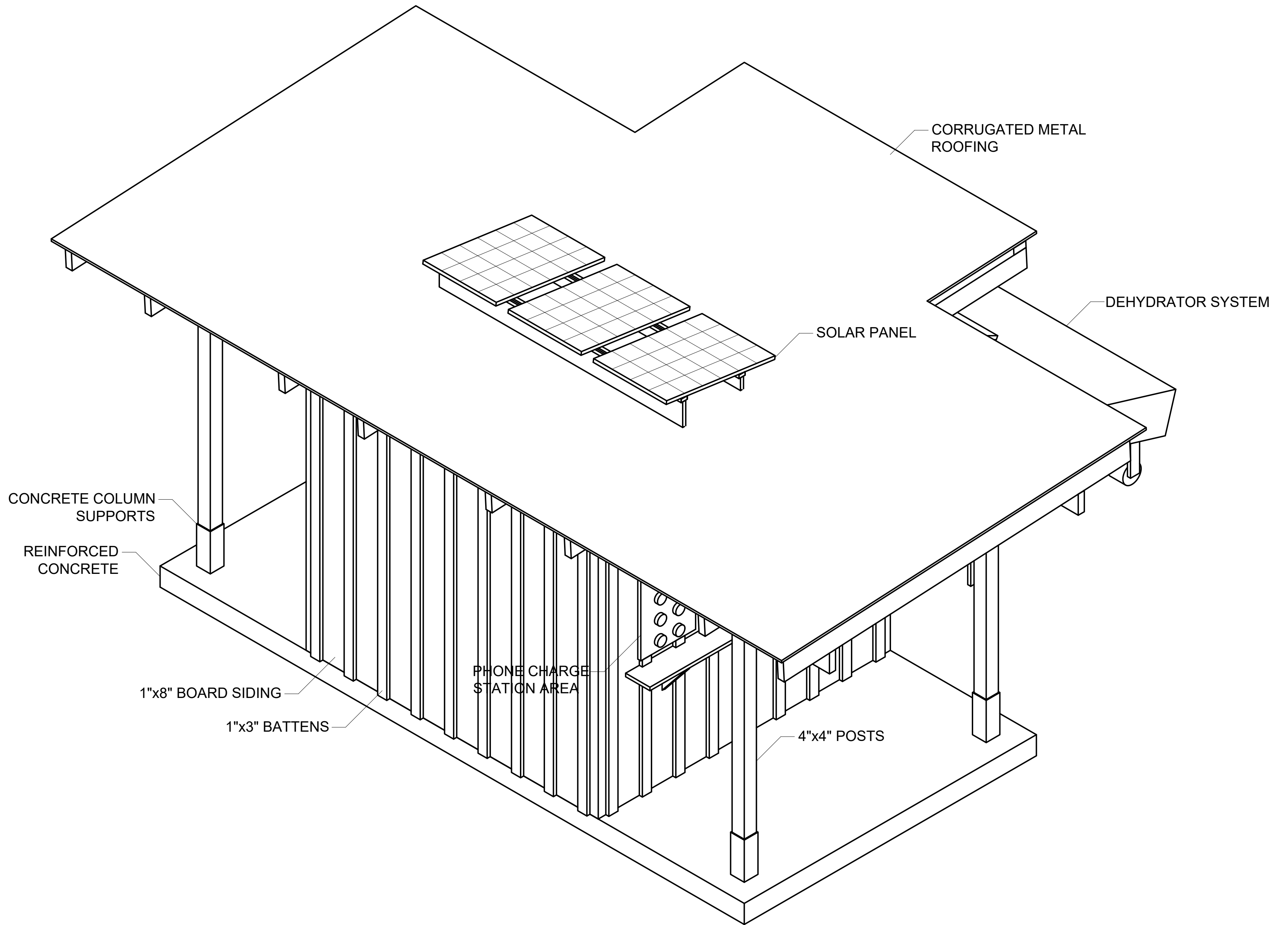
N-E ISOMETRIC
SCALE: 3/4"=1'-0"



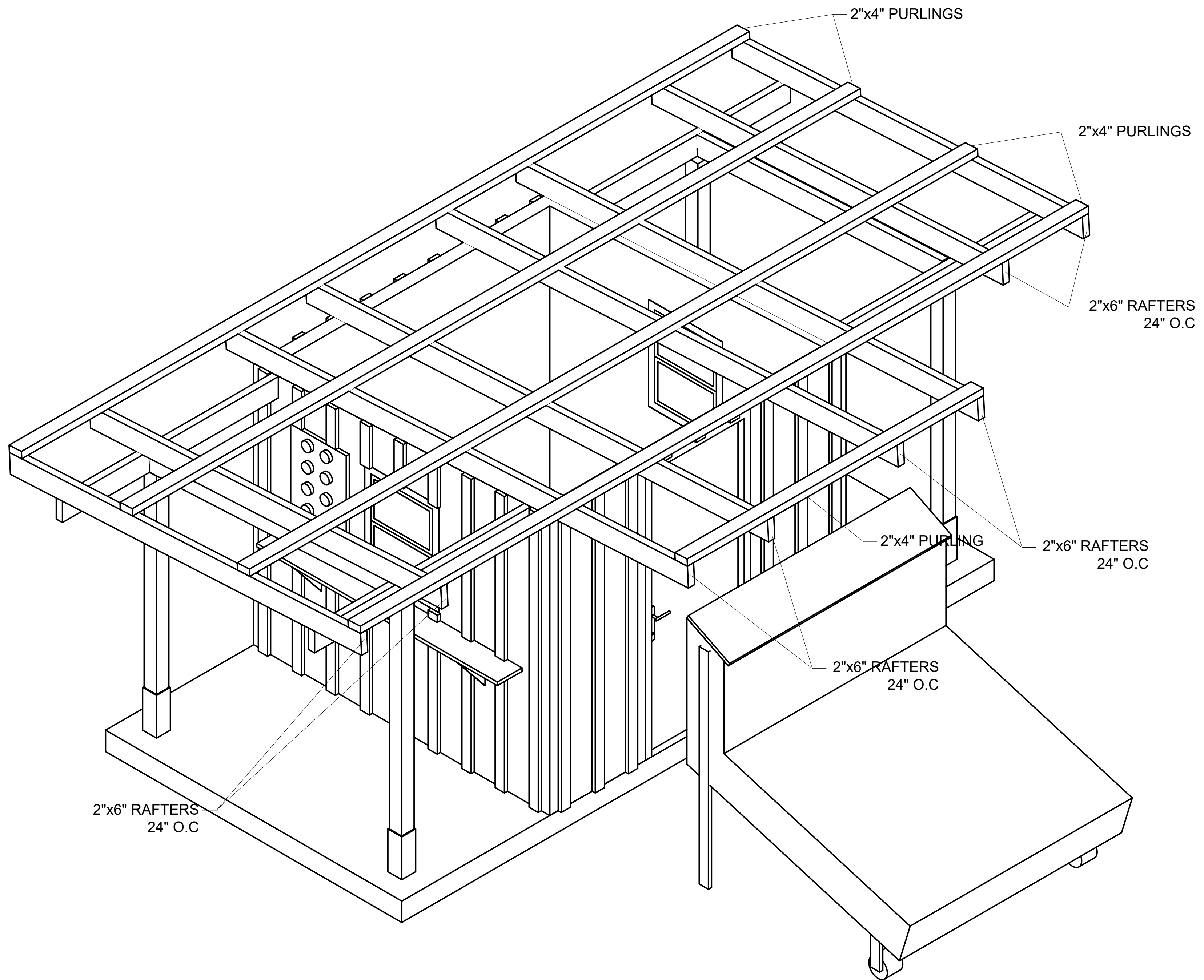
N-W ISOMETRIC
SCALE: 3/4"=1'-0"



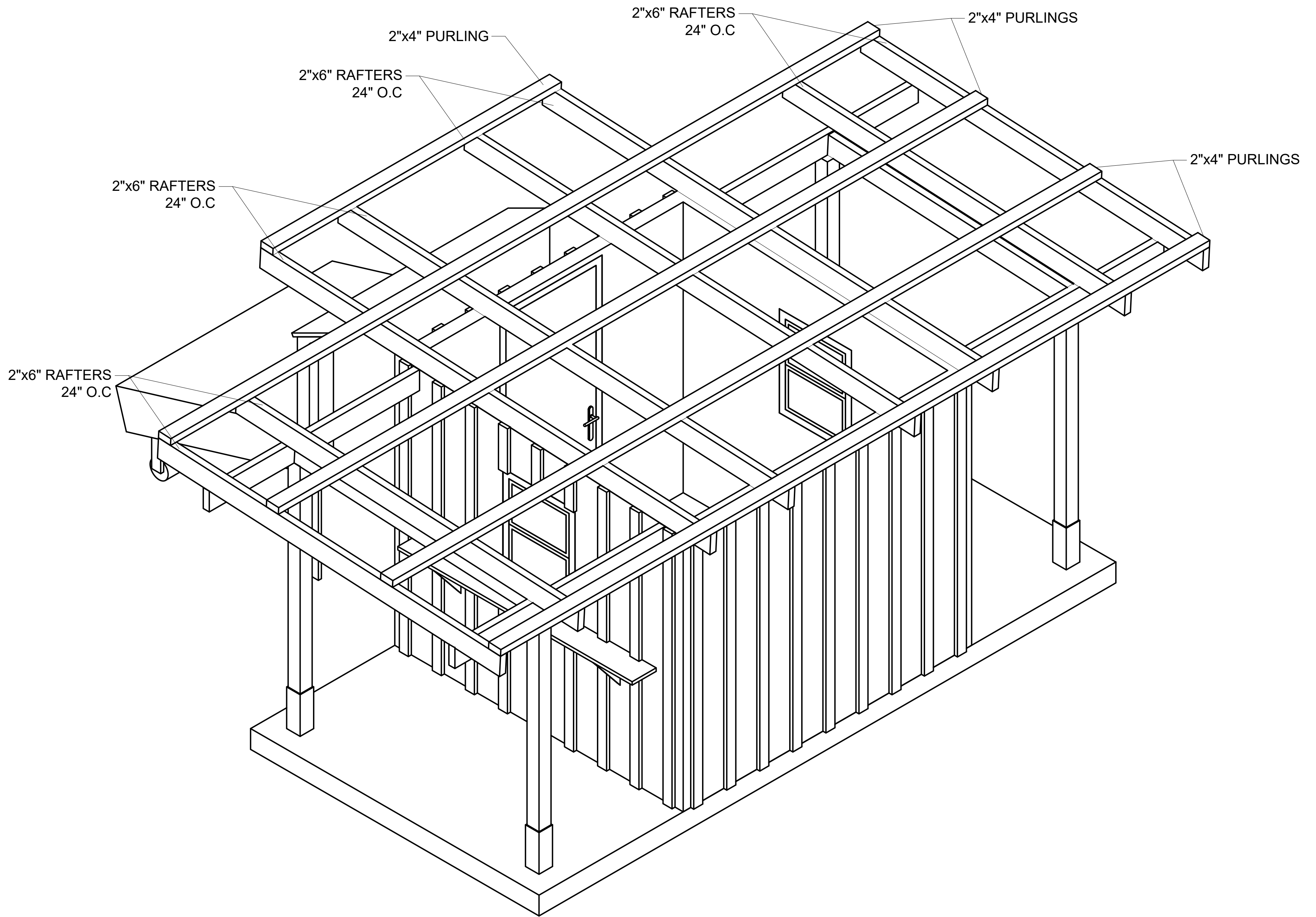
S-E ISOMETRIC
SCALE: 3/4"=1'-0"



S-W ISOMETRIC
SCALE: 3/4"=1'-0"



N-W ISOMETRIC RAFTERS DETAIL
SCALE: 3/4"=1'-0"



S-E ISOMETRIC RAFTERS DETAIL
SCALE: 3/4"=1'-0"