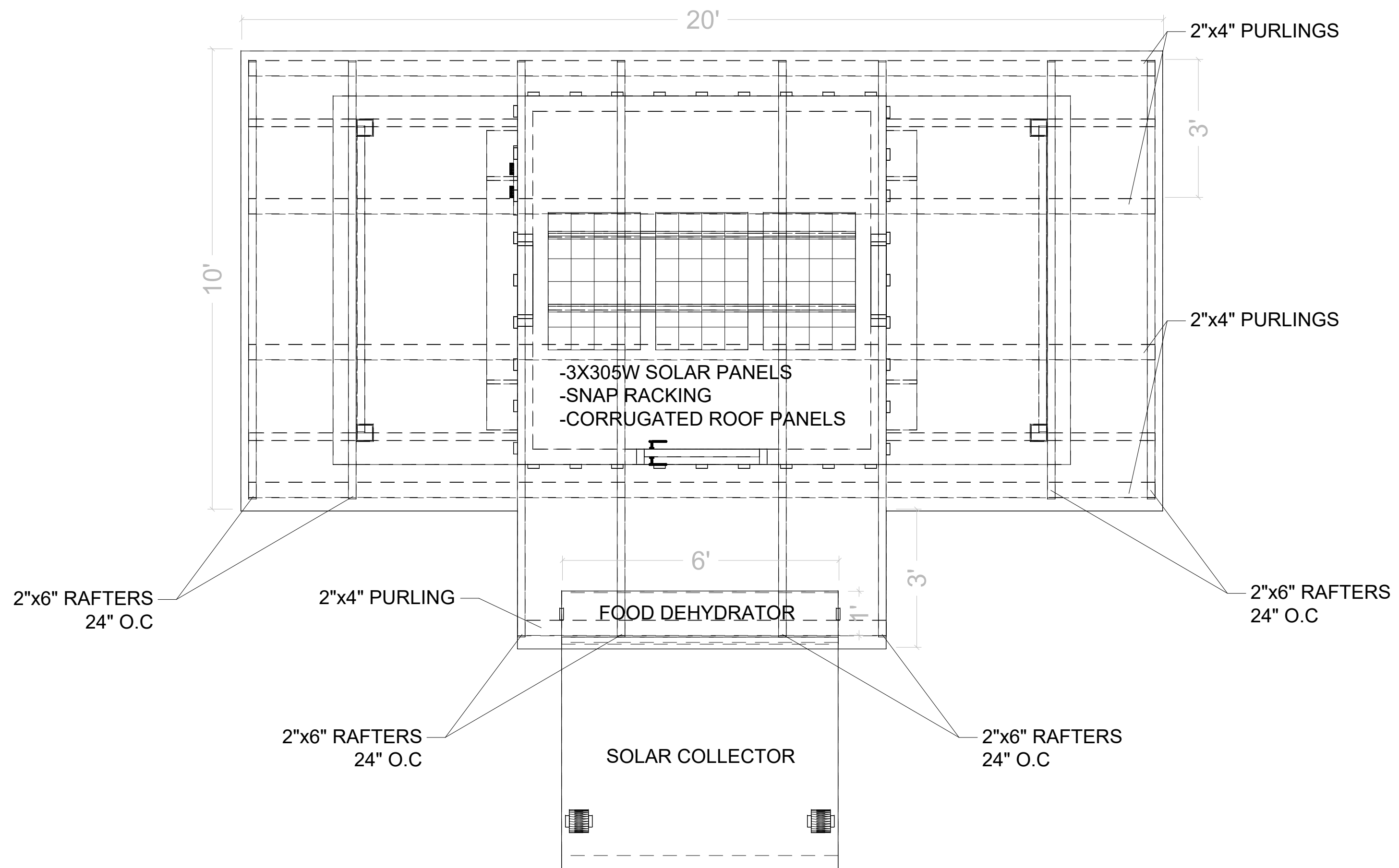


FLOOR PLAN
SCALE: 3/4"=1'-0"

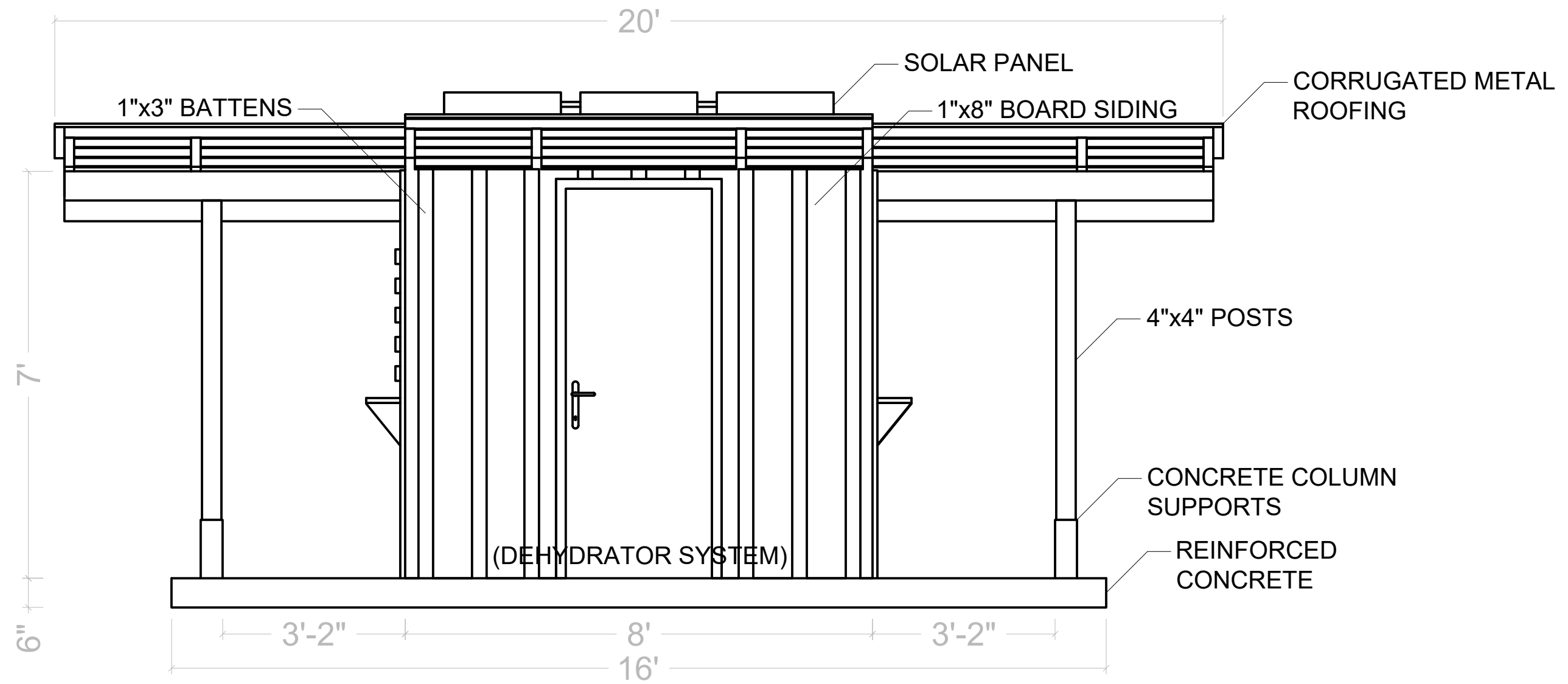


PACIFIC ISLANDS SOLAR STATION V.1.

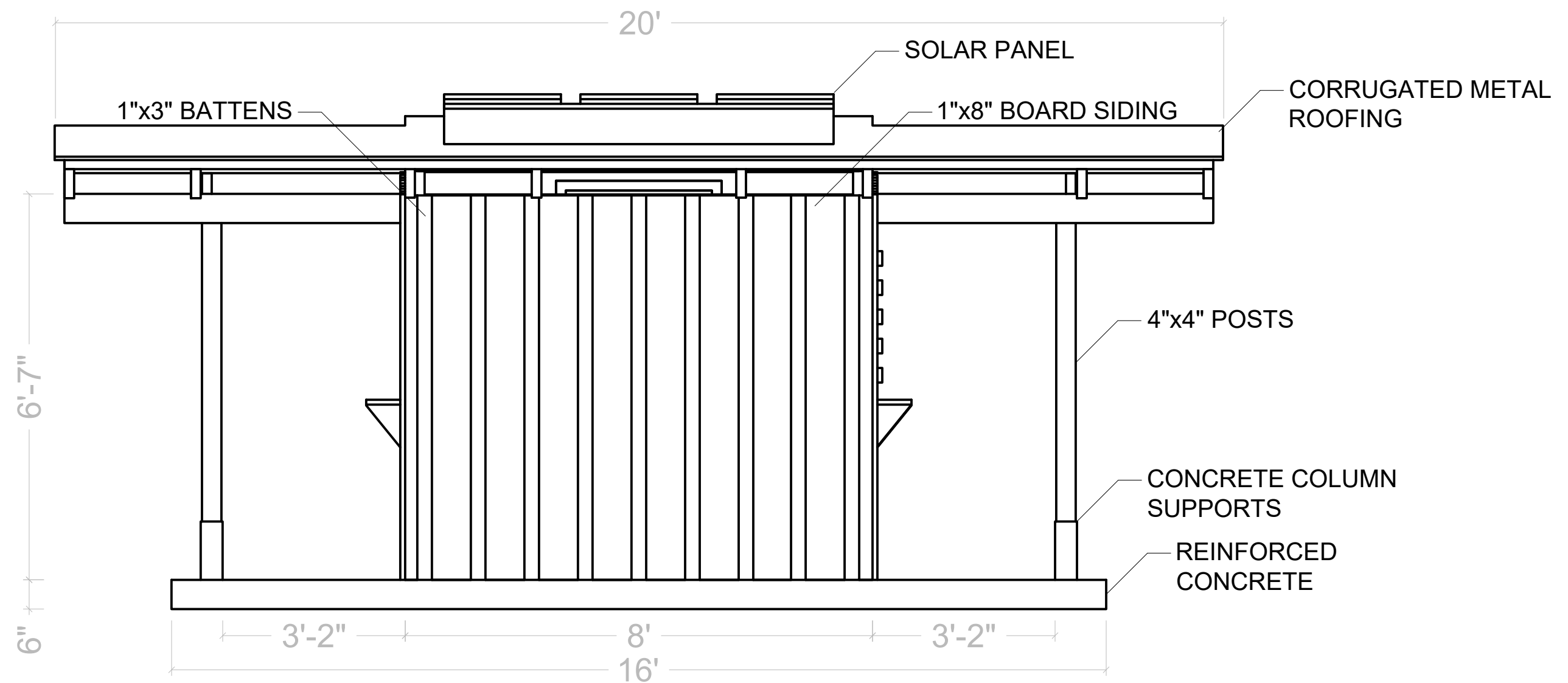
LOCATION:
 LATITUDE: 9° SOUTH
 LONGITUDE: 160° EAST
 ON JULY 09, 2020

MAGNETIC DECLINATION:
 8°39,72 EAST

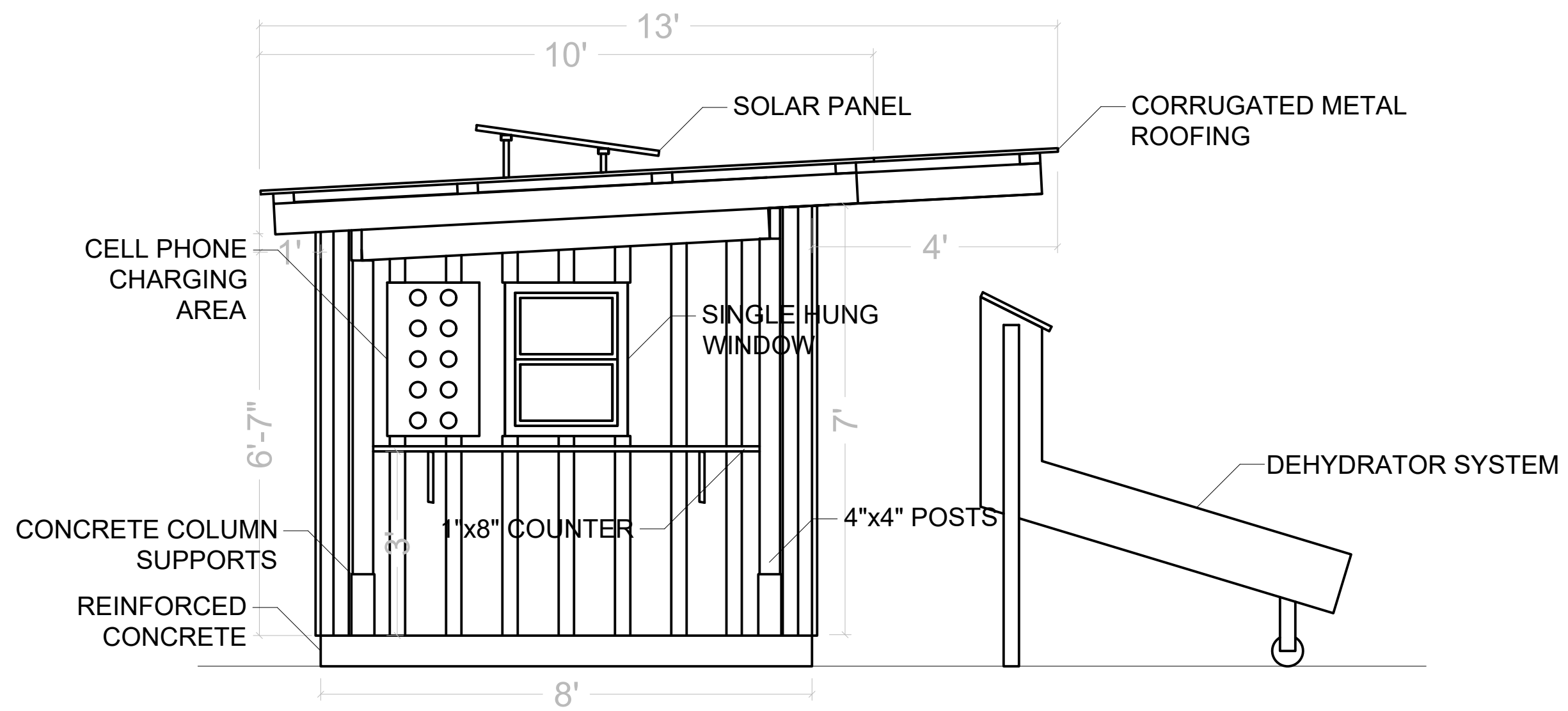
ROOF FRAMING WITH SOLAR SYSTEMS
 SCALE: 1/4"=6"



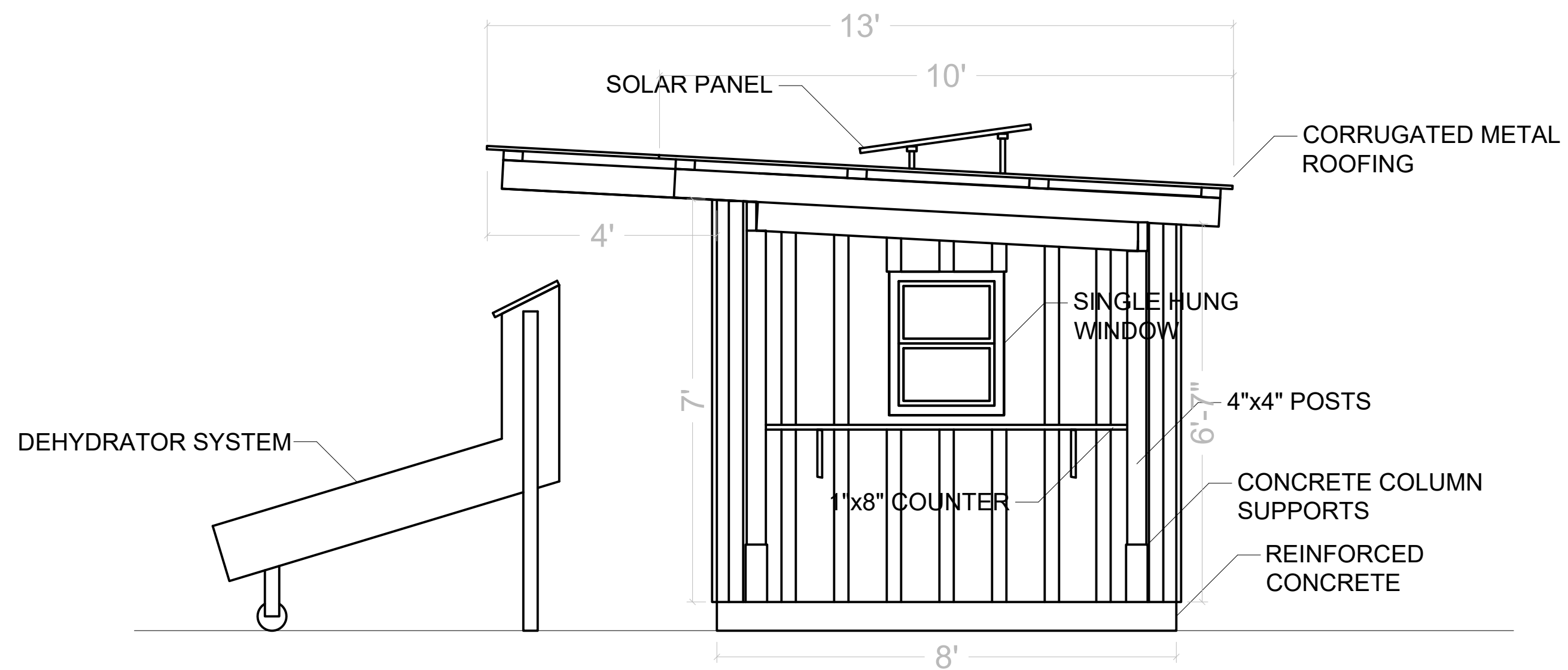
NORTH ELEVATION
SCALE: 1/4"=6"



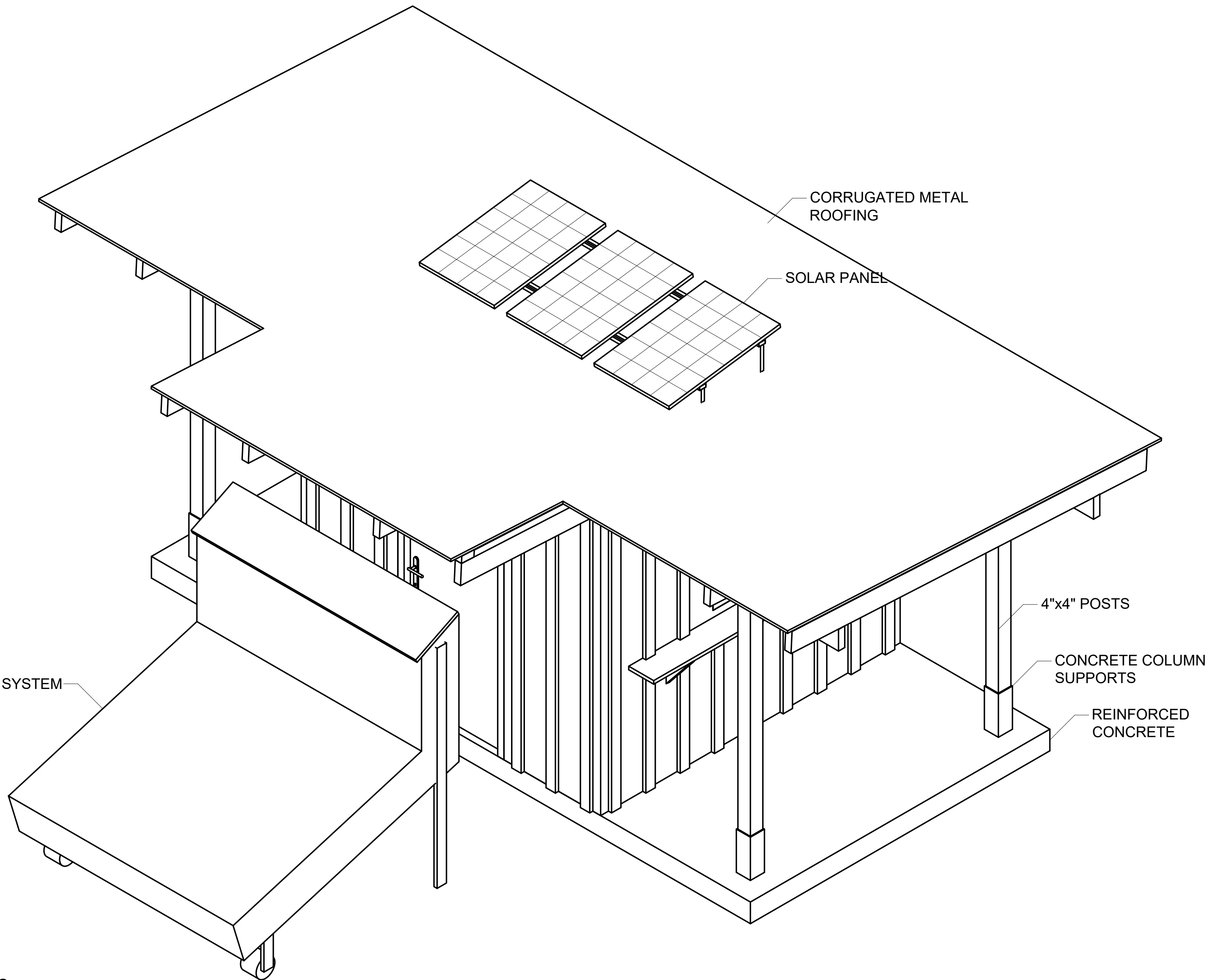
SOUTH ELEVATION
SCALE: 1/4"=6"



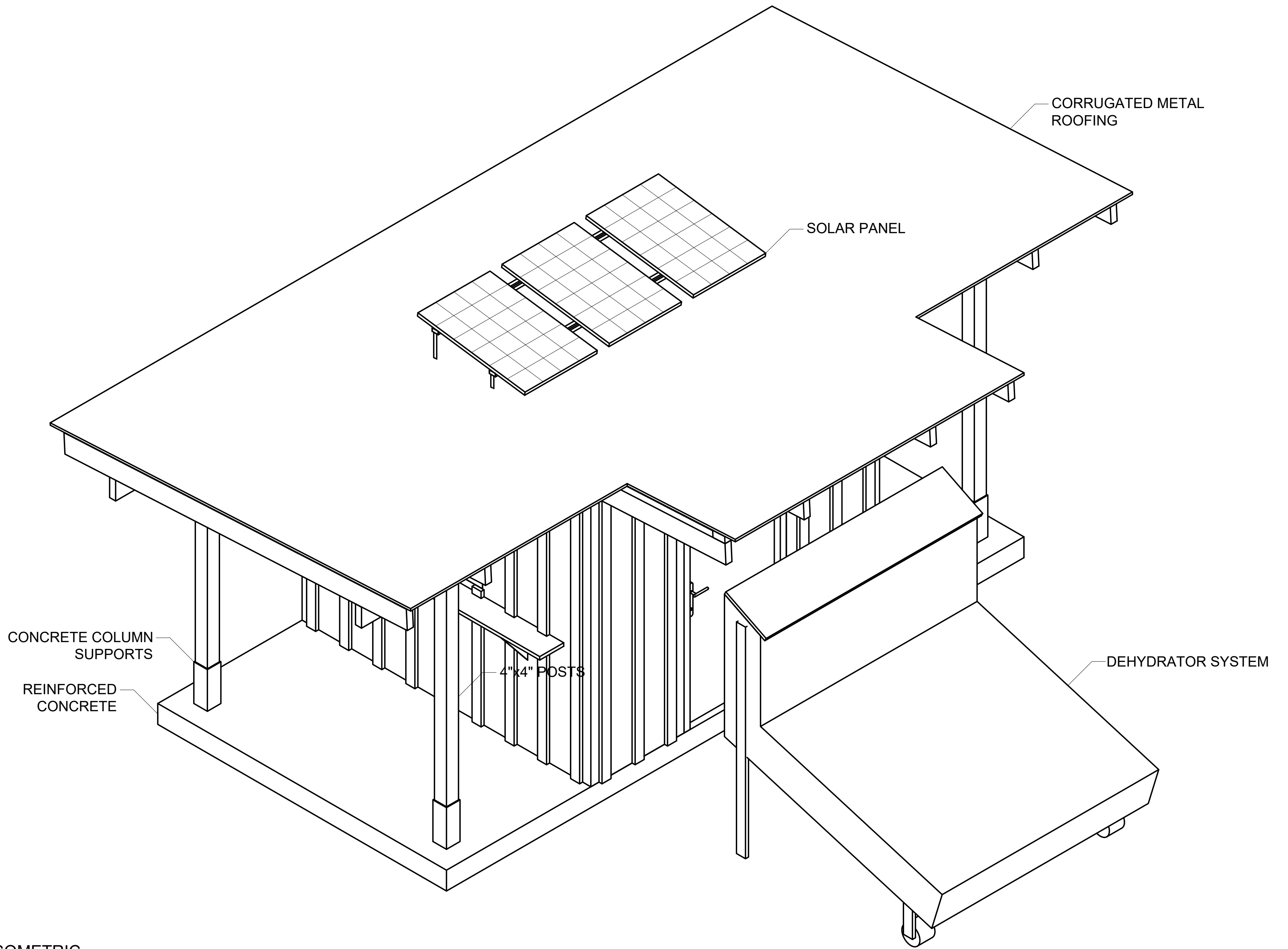
EAST ELEVATION
SCALE: 1/4"=6"



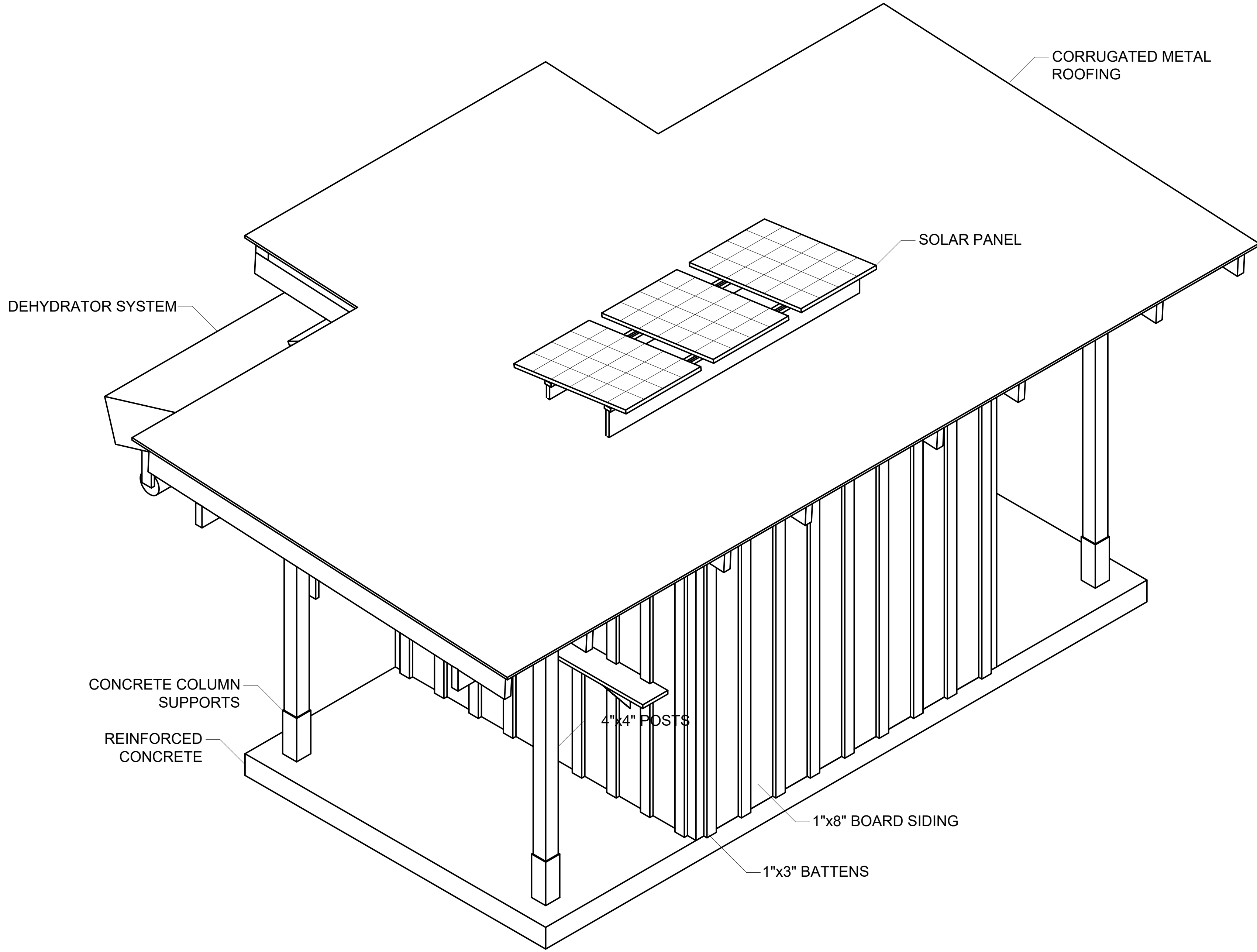
WEST ELEVATION
SCALE: 1/4"=6"



N-E ISOMETRIC
SCALE: 3/4"=1'-0"



N-W ISOMETRIC
SCALE: 3/4"=1'-0"



CORRUGATED METAL ROOFING

SOLAR PANEL

DEHYDRATOR SYSTEM

CONCRETE COLUMN SUPPORTS

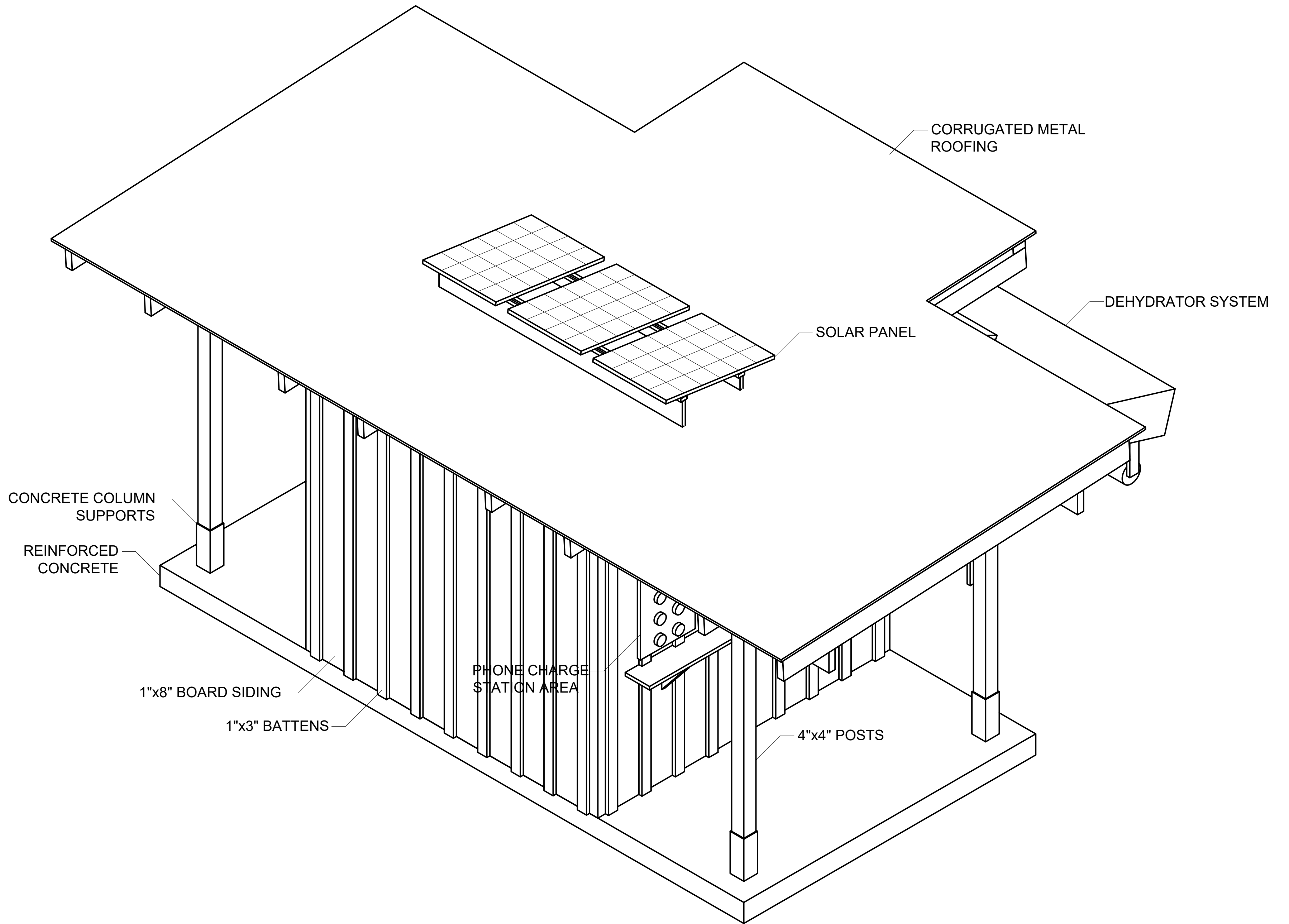
REINFORCED CONCRETE

4"x4" POSTS

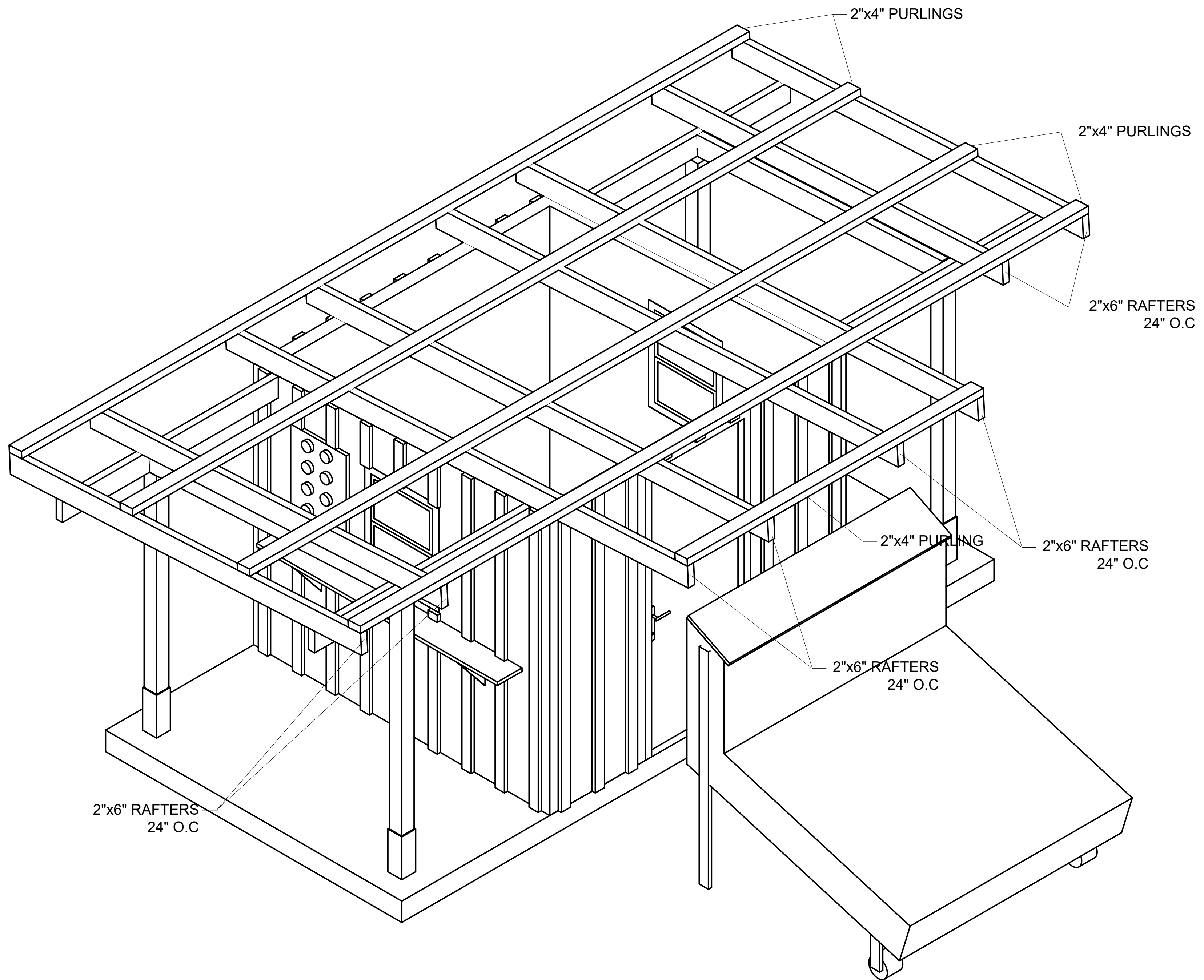
1"x8" BOARD SIDING

1"x3" BATTENS

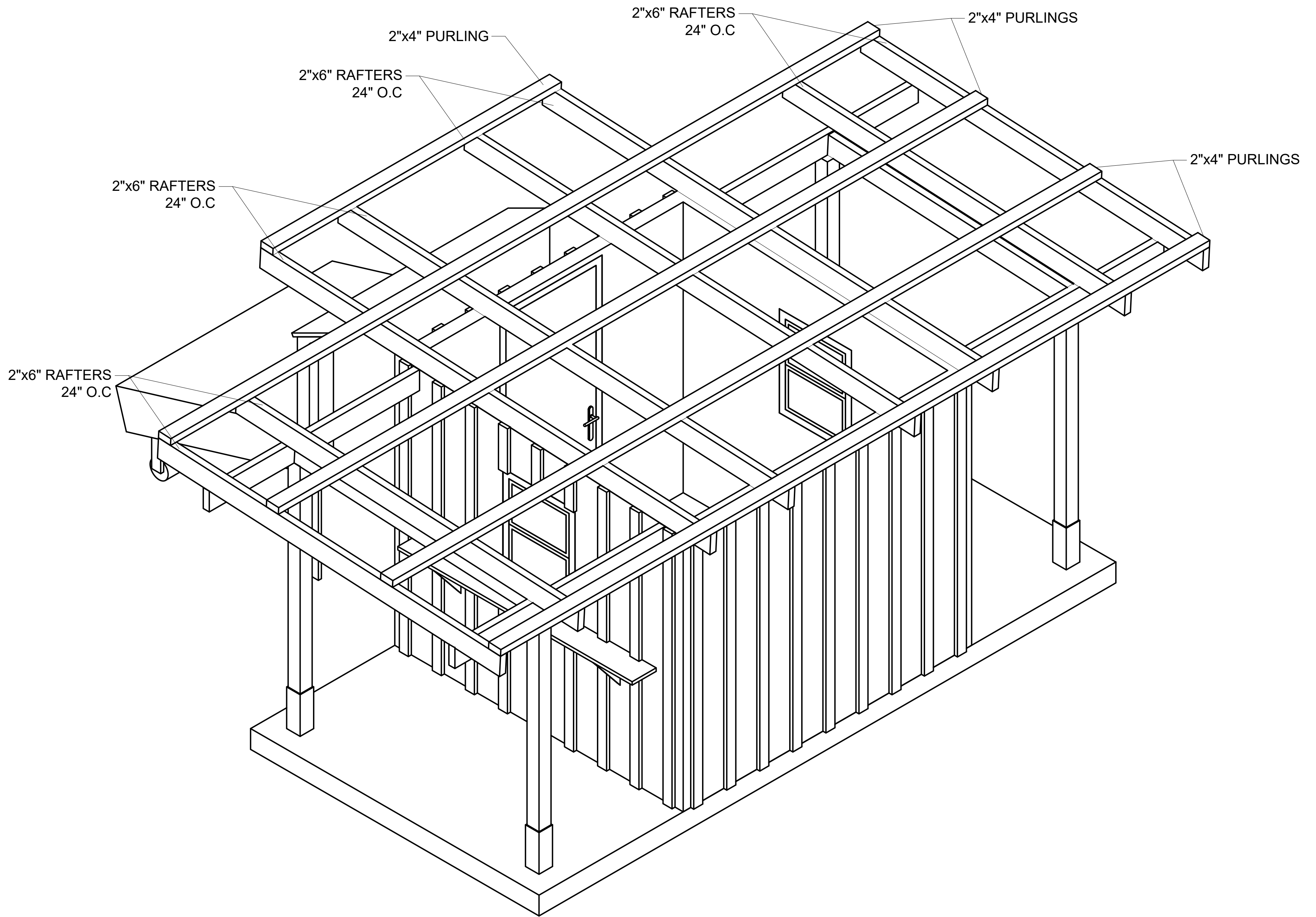
S-E ISOMETRIC
SCALE: 3/4"=1'-0"



S-W ISOMETRIC
SCALE: 3/4"=1'-0"



N-W ISOMETRIC RAFTERS DETAIL
SCALE: 3/4"=1'-0"



S-E ISOMETRIC RAFTERS DETAIL
SCALE: 3/4"=1'-0"